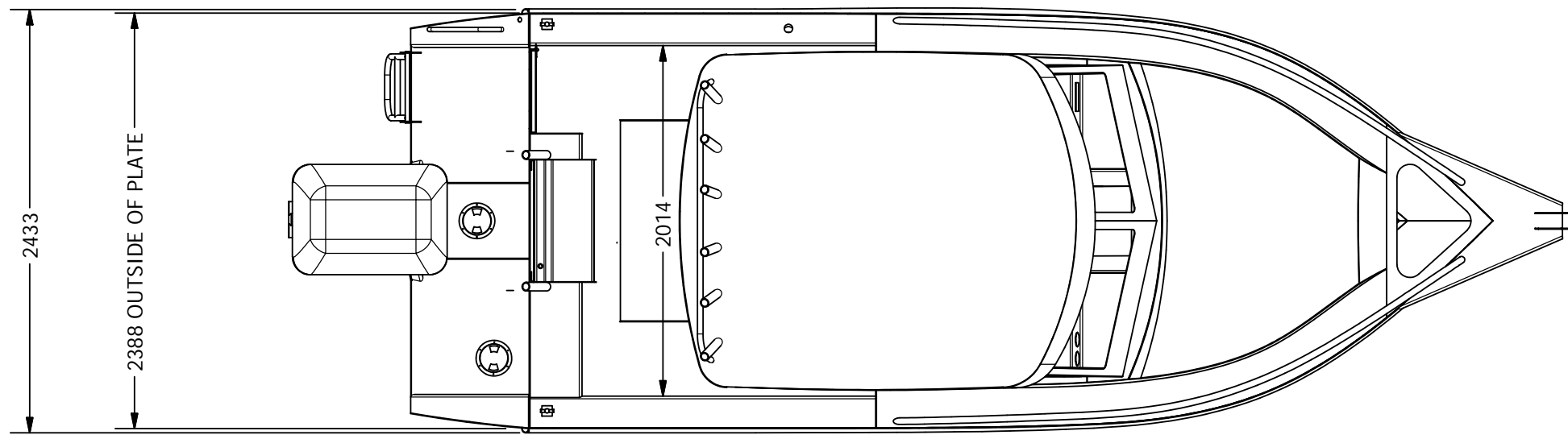
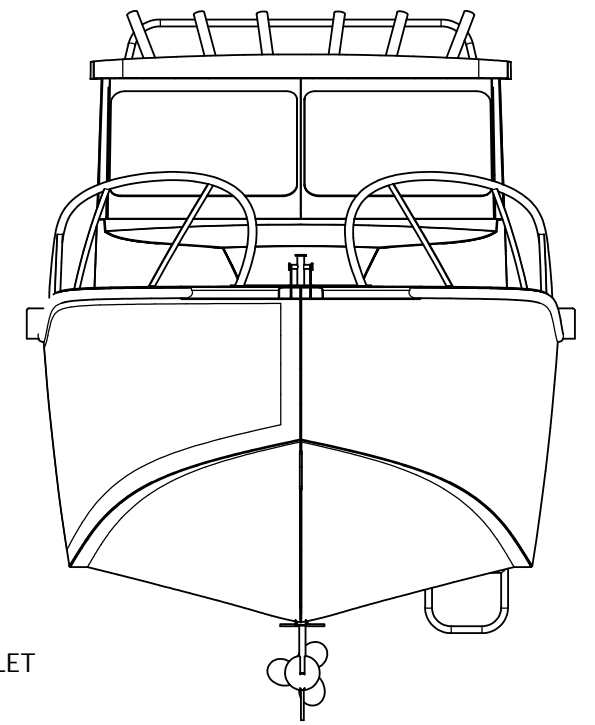
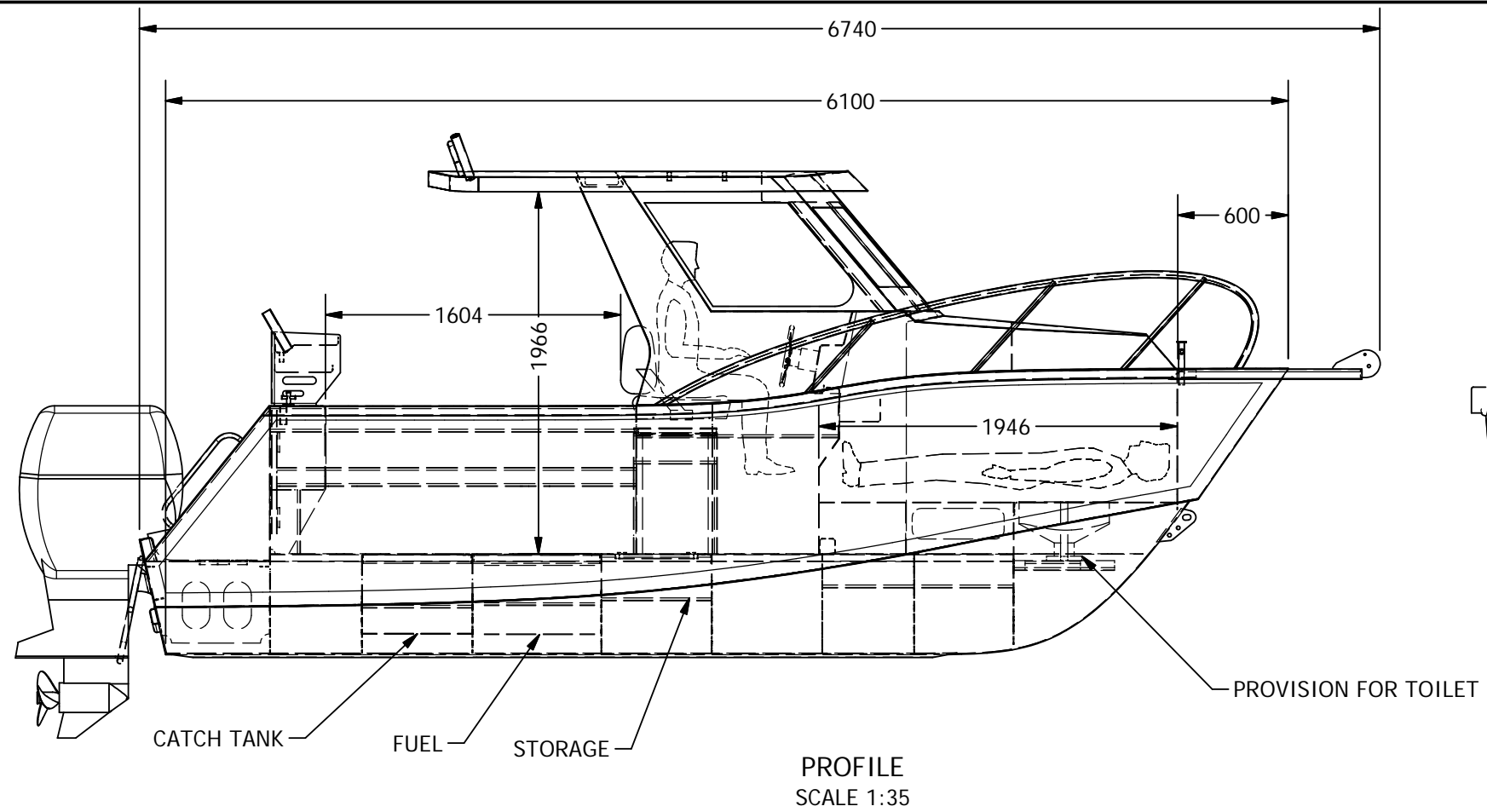
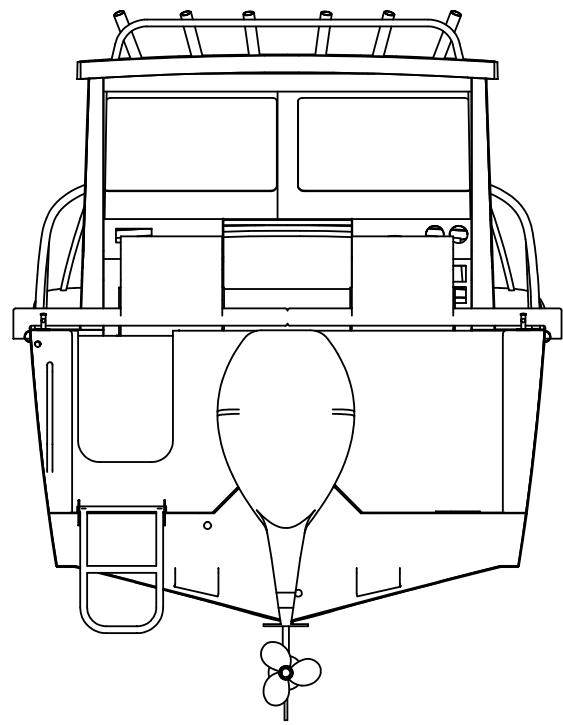


CNC MARINE

PROJECT		6100 Half Cabin	
DRAWING TITLE		General Arrangement	
DWG NO	6100HC-100	REV	SIZE A3
SCALE	SHEET 1 OF 2	www.cncmarine.com.au cncmarine@yahoo.com.au	

COPYRIGHT CNC MARINE.

This drawing and the data disclosed herein is not to be reproduced, copied or modified in whole or in part without express written permission from CNC Marine. ALL RIGHTS RESERVED



NOTES

1. ALL PLATE TO BE MARINE GRADE 5083 H321 ALUMINIUM PLATE.
2. STRUCTURAL EXTRUSIONS TO BE 6082 T5.
3. NON-STRUCTURAL & BENDABLE EXTRUSIONS (eg HANDRAILS) TO BE 6060 T52.
4. BOUYANCY FOAM NOT REQUIRED BY AS1799 BUT IS RECOMMENDED.

COPYRIGHT CNC MARINE.

This drawing and the data disclosed herein is not to be reproduced, copied or modified in whole or in part without express written permission from CNC Marine. ALL RIGHTS RESERVED

CNC MARINE

PROJECT		6100 Half Cabin	
DRAWING TITLE		General Arrangement	
DWG NO	6100HC-100	REV	SIZE A3
SCALE	SHEET 2 OF 2	www.cncmarine.com.au cncmarine@yahoo.com.au	