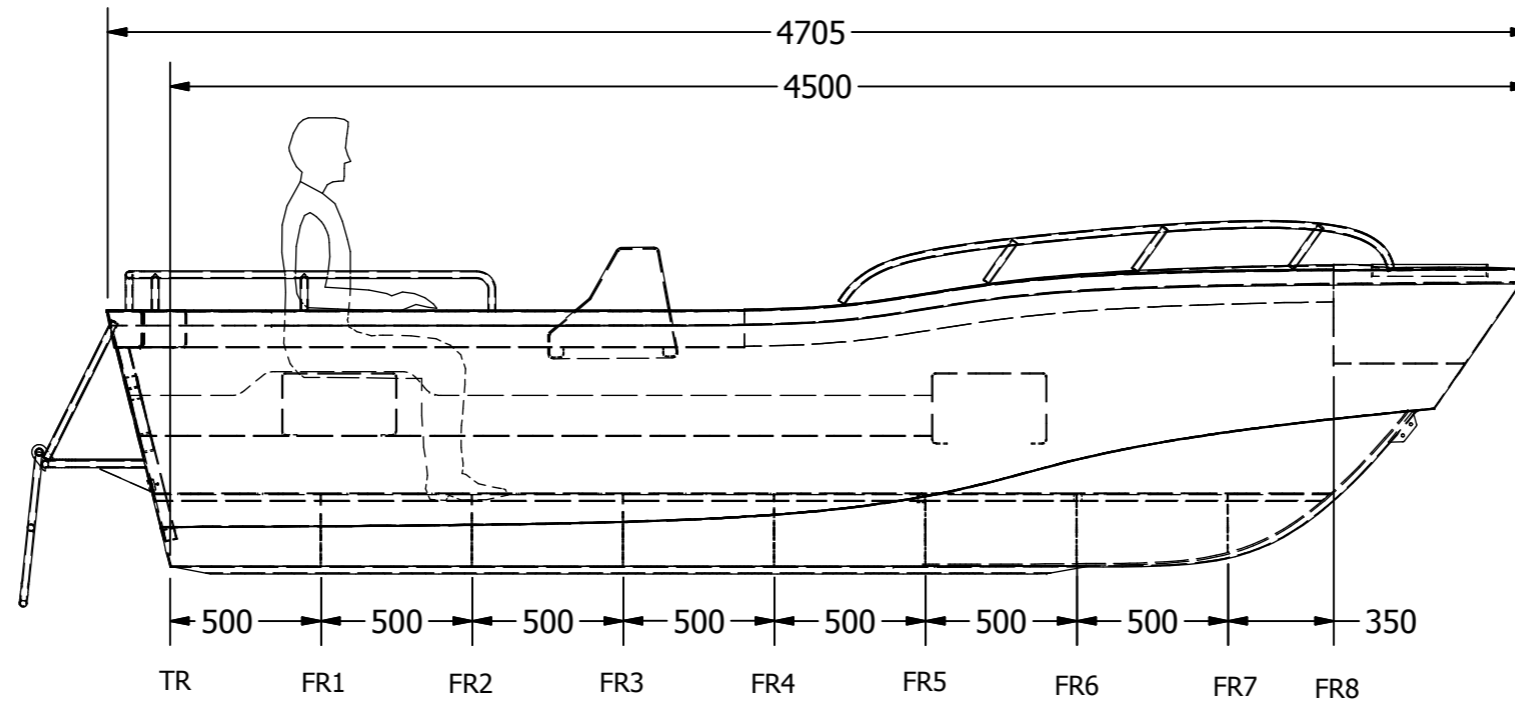
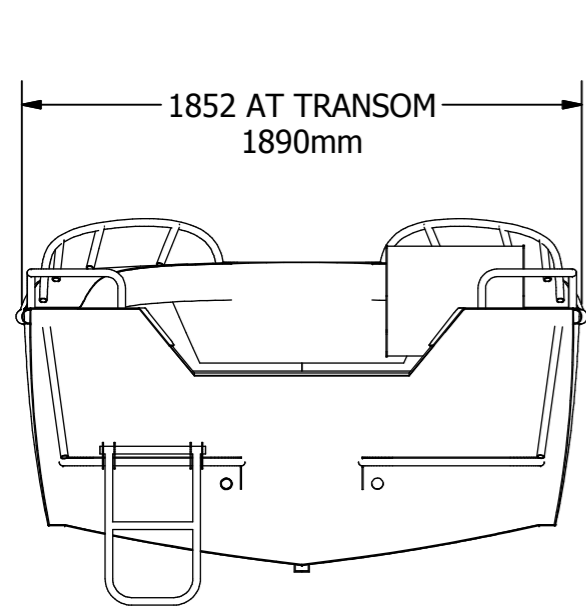


CNC MARINE

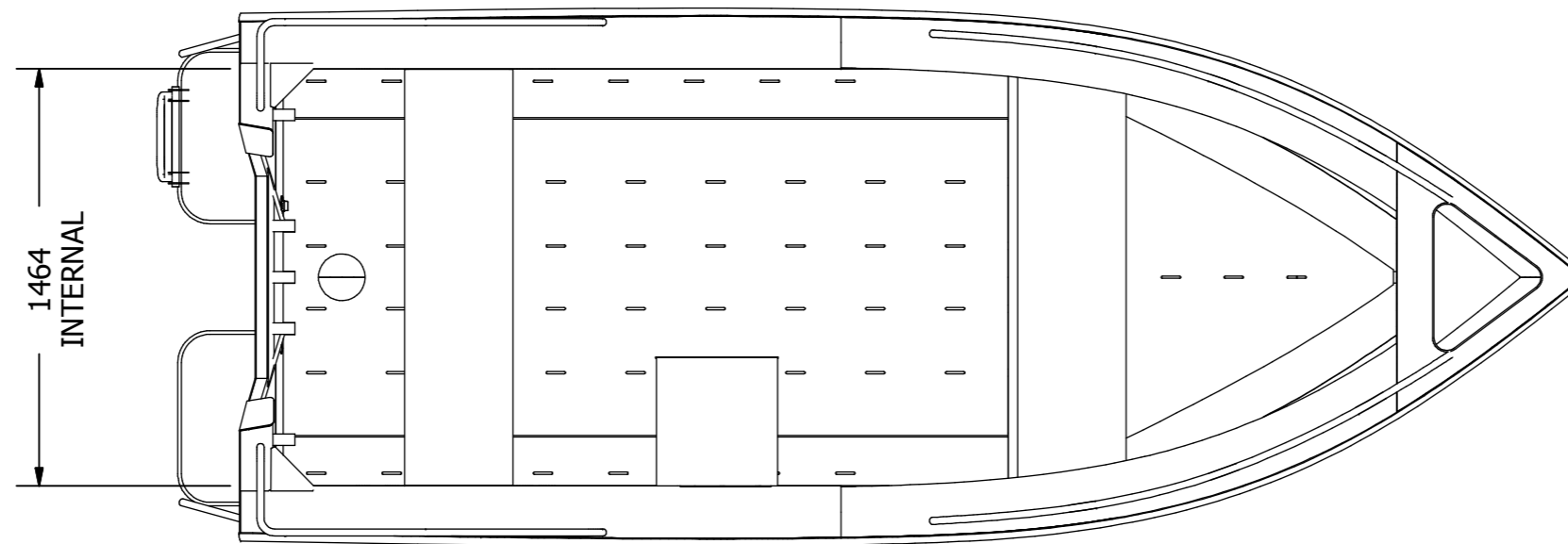
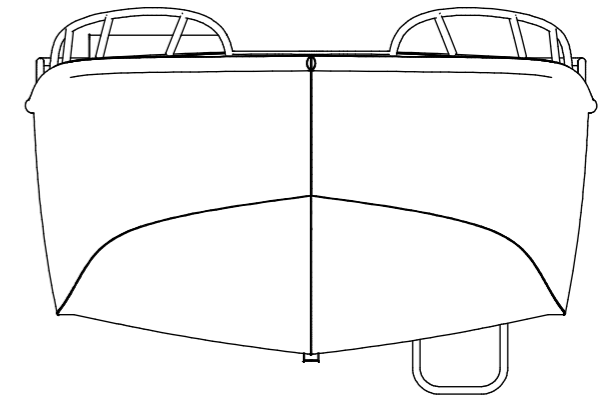
PROJECT	4500 Dinghy		
DRAWING TITLE	General Arrangement		
DWG NO	4500-DG-100	REV A	SIZE A3
SHEET 1 OF 2		www.cncmarine.com.au cncmarine@yahoo.com.au	

COPYRIGHT CNC MARINE.

This drawing and the data disclosed herein is not to be reproduced, copied or modified in whole or in part without express written permission from CNC Marine. ALL RIGHTS RESERVED



PROFILE
SCALE 1:25



PLAN
SCALE 1:25

NOTES

1. BUOYANCY FOAM IS REQUIRED BY AS1799.
2. TRANSOM HEIGHT IS TO SUIT 25" MOTOR.

COPYRIGHT CNC MARINE.

This drawing and the data disclosed herein is not to be reproduced, copied or modified in whole or in part without express written permission from CNC Marine. ALL RIGHTS RESERVED

CNC MARINE

PROJECT	4500 Dinghy		
DRAWING TITLE	General Arrangement		
DWG NO	4500-DG-100	REV A	SIZE A3
SHEET 2 OF 2		www.cncmarine.com.au cncmarine@yahoo.com.au	