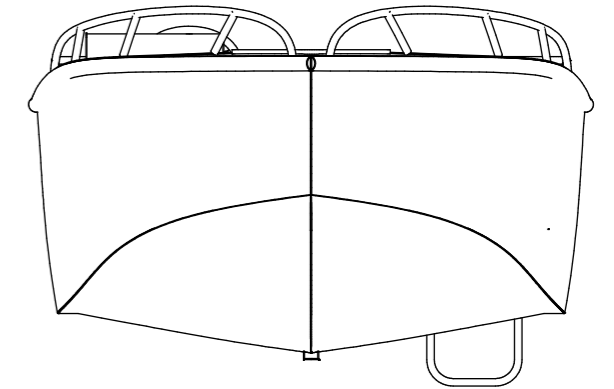
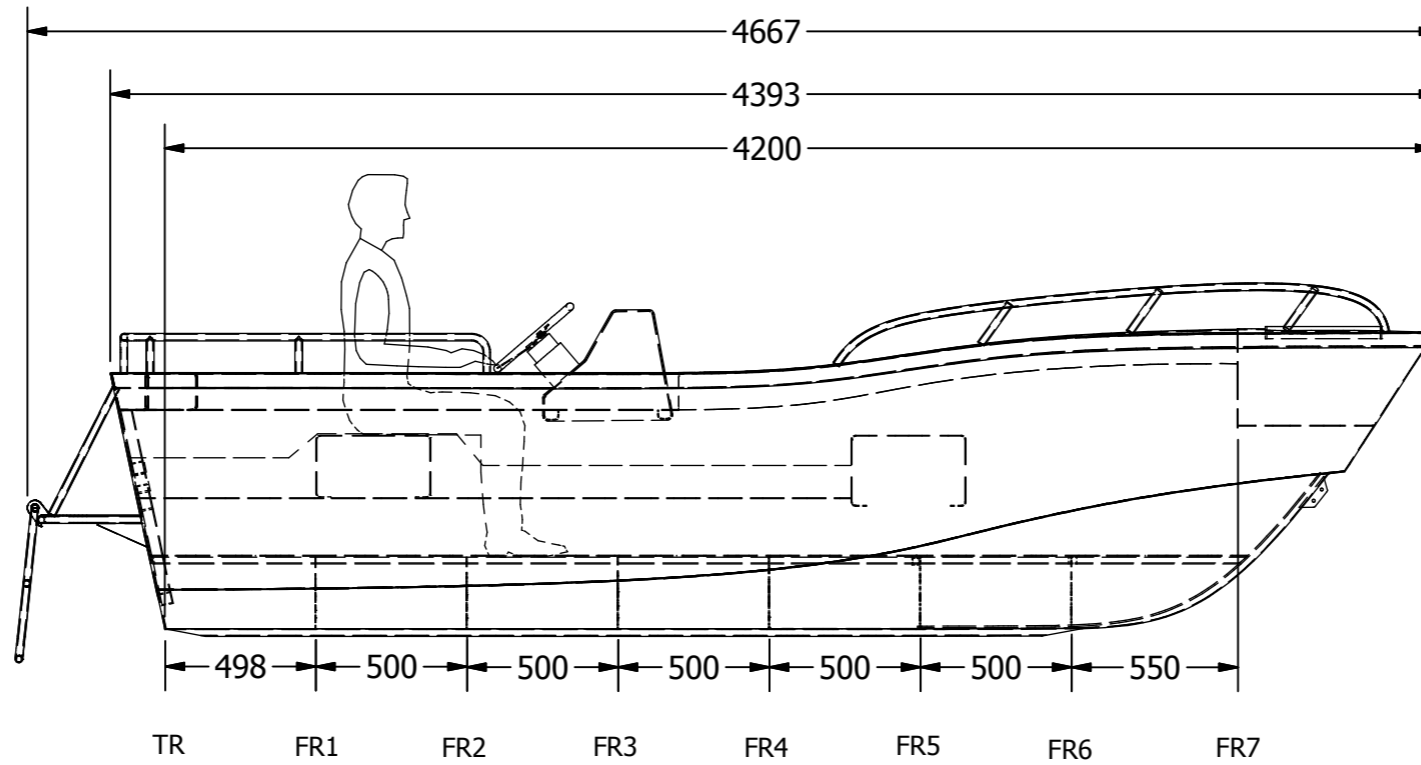
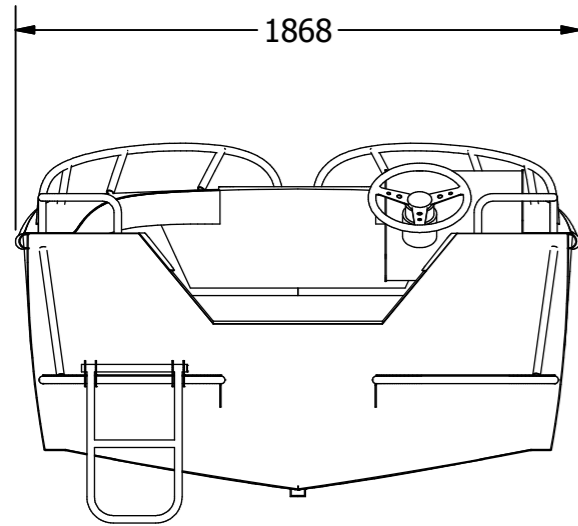


CNC MARINE

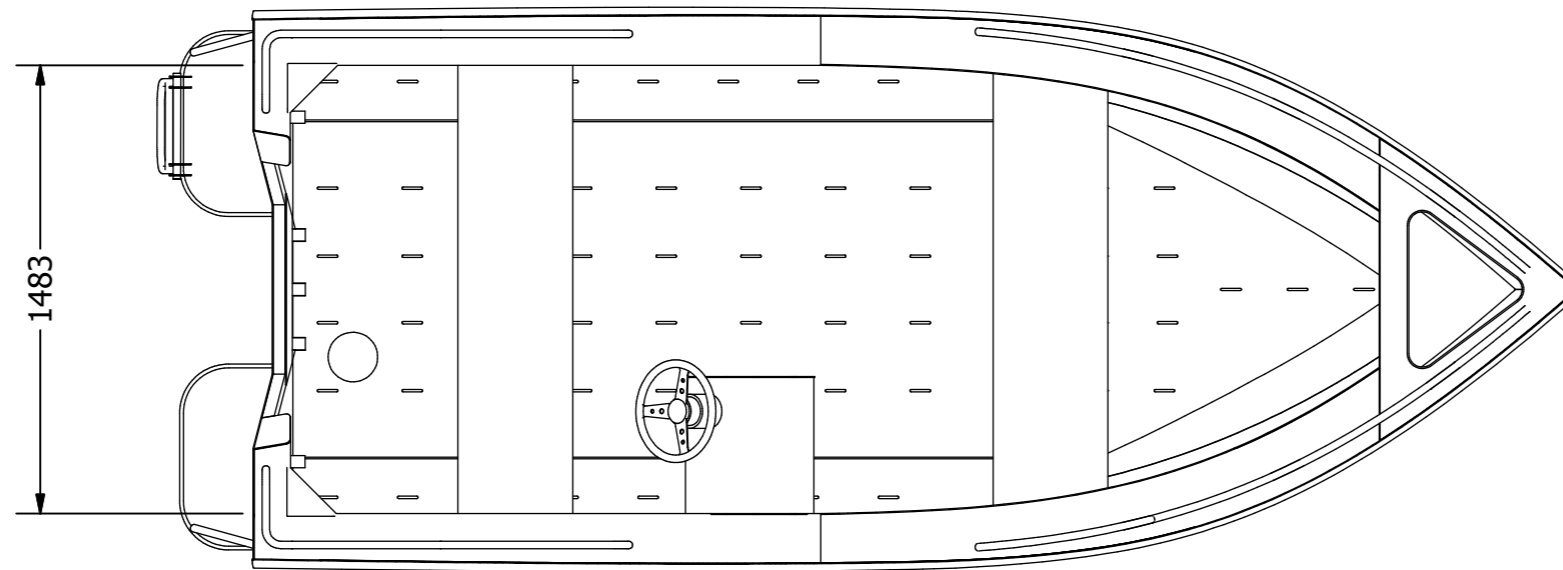
PROJECT	4200 Dinghy		
DRAWING TITLE	General Arrangement		
DWG NO	4200-DG-100	REV A	SIZE A3
SHEET 1 OF 2		www.cncmarine.com.au cncmarine@yahoo.com.au	

COPYRIGHT CNC MARINE.

This drawing and the data disclosed herein is not to be reproduced, copied or modified in whole or in part without express written permission from CNC Marine. ALL RIGHTS RESERVED



PROFILE
SCALE 1:25



PLAN
SCALE 1:25

NOTES

1. ALL FRAME DIMENSIONS ARE FWD FACE TO FWD FACE (EXCEPT TRANSOM WHICH IS AFT TO FWD).
2. ALL FRAMES ARE FITTED AFT OF THE LINE (EXCEPT TRANSOM).
3. TRANSOM IS FITTED FWD OF THE LINE.
4. ALL PLATE TO BE MARINE GRADE 5083 H321/H116 ALUMINIUM PLATE.
5. BENDABLE EXTRUSIONS (eg HANDRAILS) TO BE 6060 T52.
6. BUOYANCY FOAM IS REQUIRED BY AS1799.
7. TRANSOM HEIGHT IS TO SUIT 20" MOTOR.

COPYRIGHT CNC MARINE.

This drawing and the data disclosed herein is not to be reproduced, copied or modified in whole or in part without express written permission from CNC Marine. ALL RIGHTS RESERVED

CNC MARINE

PROJECT		4200 Dinghy	
DRAWING TITLE		General Arrangement	
DWG NO	4200-DG-100	REV	SIZE
		A	A3
SHEET 2 OF 2		www.cncmarine.com.au cncmarine@yahoo.com.au	